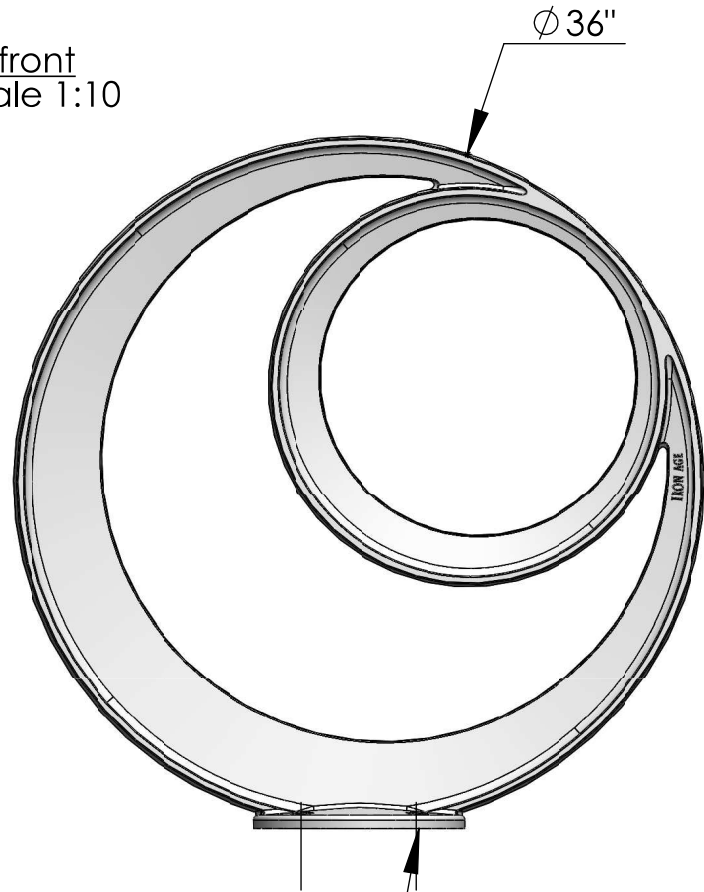
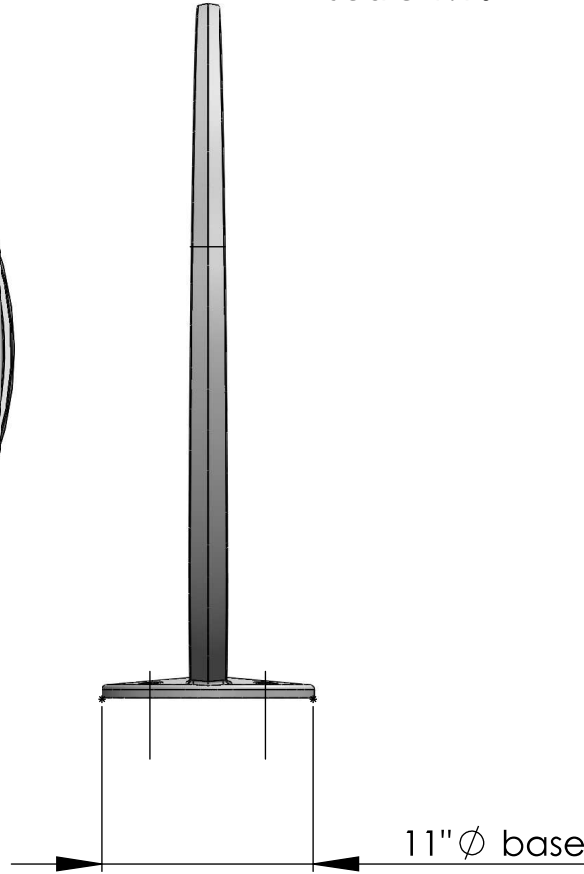


front
scale 1:10



(4X) $\frac{1}{2}$ " ϕ x 3"
s.s. tamper resistant
fastener into expansion
anchor


side
scale 1:10



11" ϕ base

isometric
scale 1:10



 **IRON AGE** 2104 SW 152nd St. #4 TEL 206.276.0925
 Burién, WA 98166 FAX 206.257.0318
 DESIGNS www.ironagedesigns.com

SPAK 36" Bollard

JOB NO.

Drawn by: CD

DWG. NO. 02-SPK.B.36

Date: 9/15/13

Scale: NTS

NOTES:

1. Material: cast ductile iron
2. Finish options: powdercoat
3. Weight approx. 110 lbs iron
4. Due to casting inconsistencies all dimensions are nominal

© 2013 Iron Age Designs

Registration Number:
VA 1-953-123