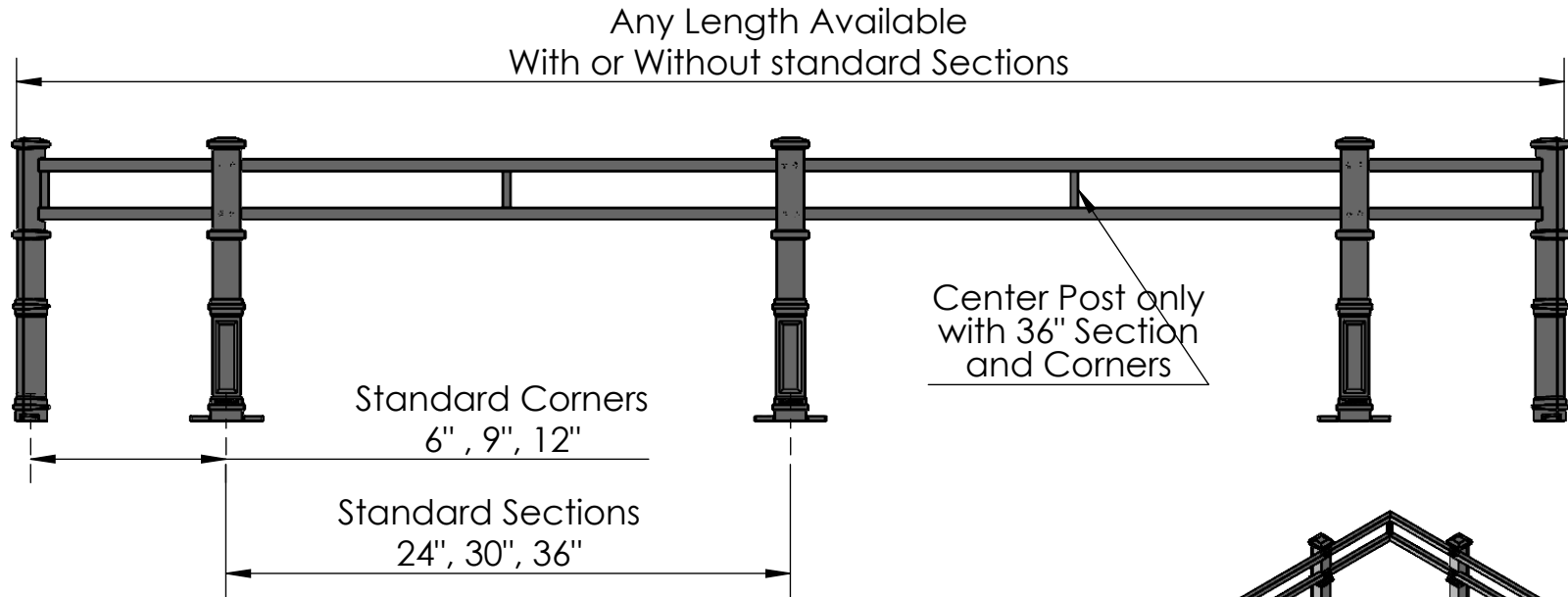
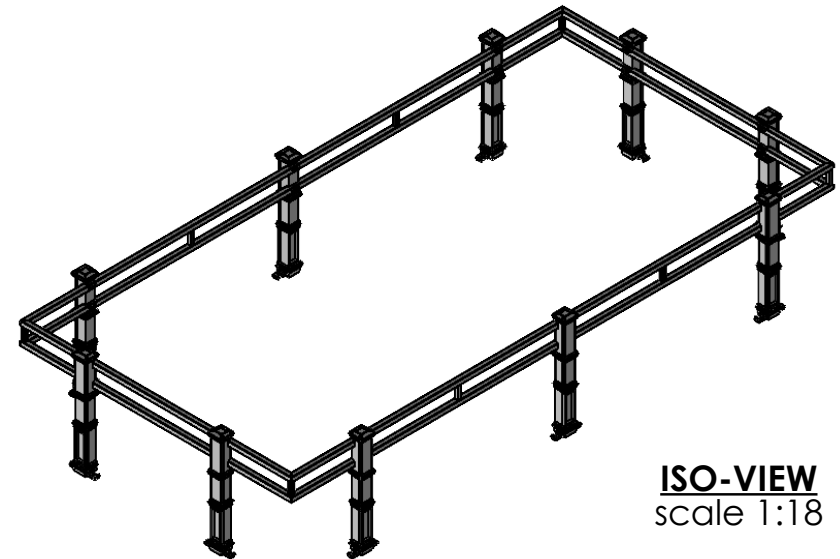
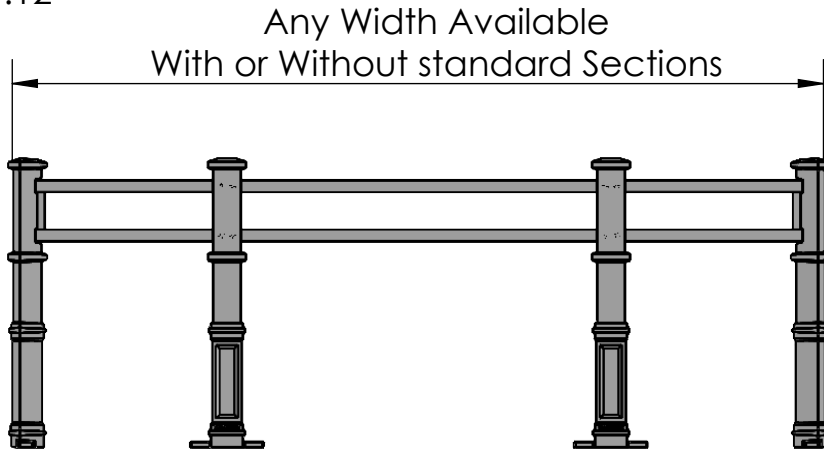


**TOP VIEW**  
scale 1:12



**Side View**  
scale 1:12



**ISO-VIEW**  
scale 1:18

**NOTES:**

1. Pieces per Set: multiple
2. Due to casting inconsistencies, all dimensions are nominal.

Made in USA ©2020 Iron Age Designs

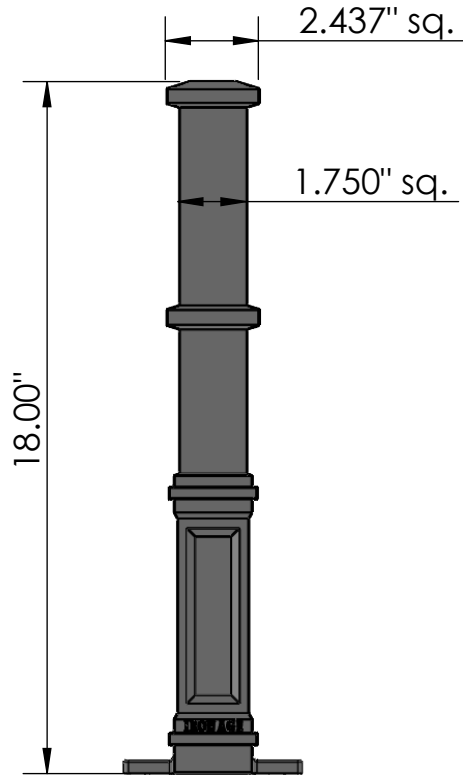
**Newell Planter Fence**



<b>Material:</b> Ductile Iron / Mild Steel	<b>Weight:</b> varies	<b>Free Drain Area:</b> N/A in/sq. N/A %	<b>By:</b> MS	<b>Checked:</b> MS	<b>Date:</b> 8-21-20
<b>Finish:</b> Raw	<b>Edge:</b> N/A	<b>Flow Rate:</b> N/A GPM	<b>© Registration:</b> Pending		<b>Scale:</b> NTS
<b>Fits:</b> N/A	<b>Product ID:</b> NLPF	<b>Drawing Name:</b> 01-Newell Planter Fence			

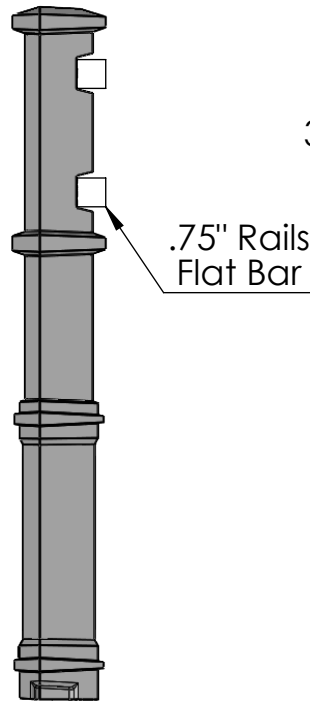
**Front View**

scale 1:5



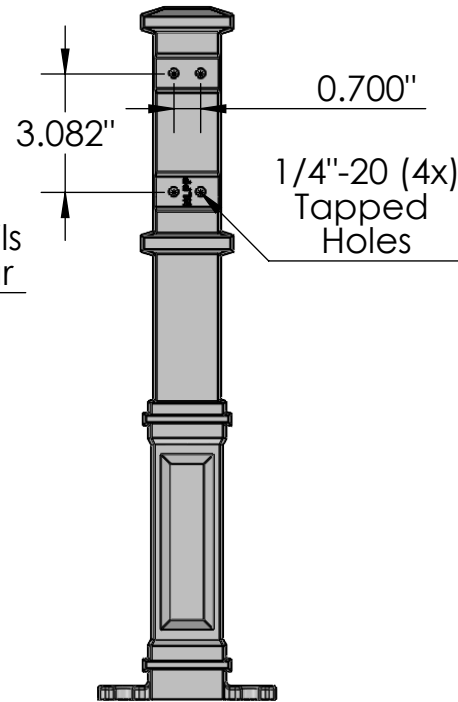
**SIDE VIEW**

scale 1:5



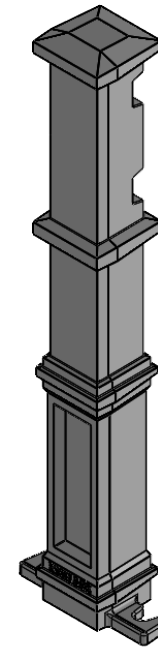
**Back View**

scale 1:5



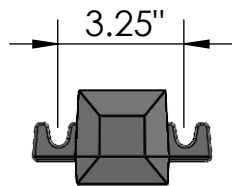
**ISO-View**

scale 1:5



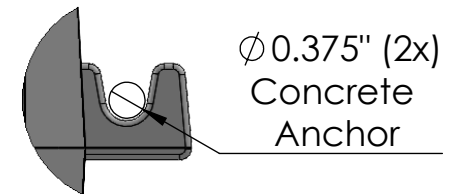
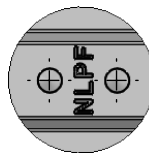
**TOP VIEW**

scale 1:6



**CASTING-ID**

scale 1:2



**NOTES:**

1. Pieces per Set: 1
2. Due to casting inconsistencies, all dimensions are nominal.

Made in USA ©2020 Iron Age Designs

**Newell Fence Post**



<b>Material:</b> Cast Ductile Iron 65-45-12	<b>Weight:</b> 15.66 lbs.	<b>Free Drain Area:</b> N/A in/sq. N/A %	<b>By:</b> MS	<b>Checked:</b> MS	<b>Date:</b> 8-21-20
<b>Finish:</b> Raw	<b>Edge:</b> N/A	<b>Flow Rate:</b> N/A GPM	<b>© Registration:</b> Pending		<b>Scale:</b> NTS
<b>Fits:</b> Newell Planter Fence	<b>Product ID:</b> NLPF	<b>Drawing Name:</b> 01-Newell_Fence_Post			