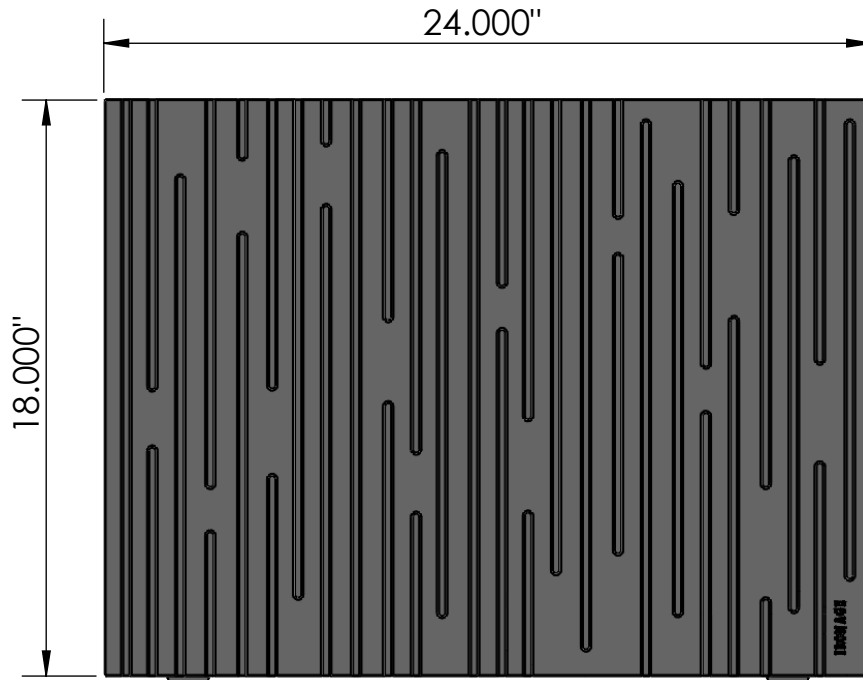


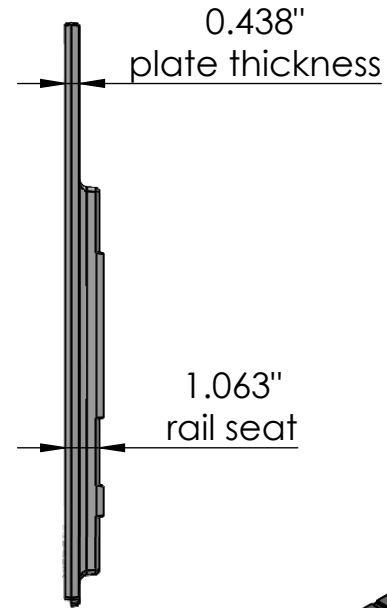
**PLAN VIEW**

scale 1:6



**END VIEW**

scale 1:6



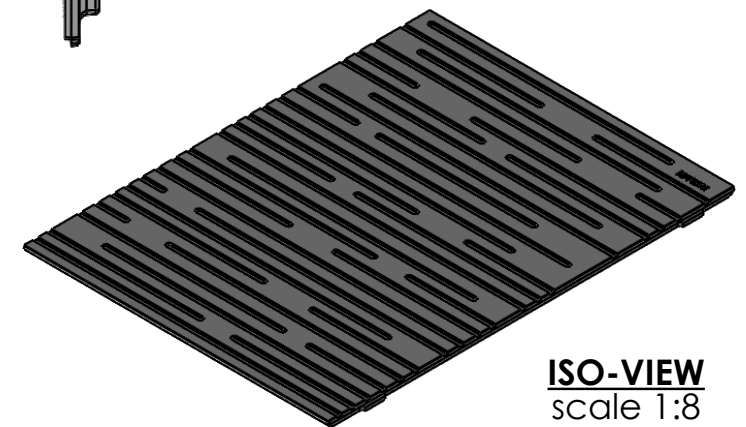
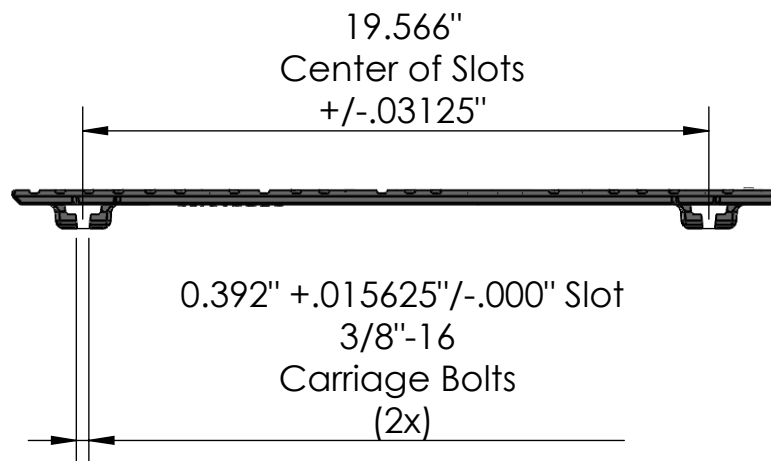
**CASTING-ID**

scale 1:3



**TOP VIEW**

scale 1:6



**ISO-VIEW**

scale 1:8

**NOTES:**

- 1. Ships in 1 piece.
- 2. Due to casting inconsistencies, all dimensions are nominal.

Made in USA ©2019 Iron Age Designs

**Rain Planter Box Panel 18" x 24"**



Material: Cast Ductile Iron

Weight: 50.16 lbs.

By: MS Date: 5/10/19

Standard Finish: Raw

Edge Thickness: .438"

Job No: XXXXXXXX Scale: NTS

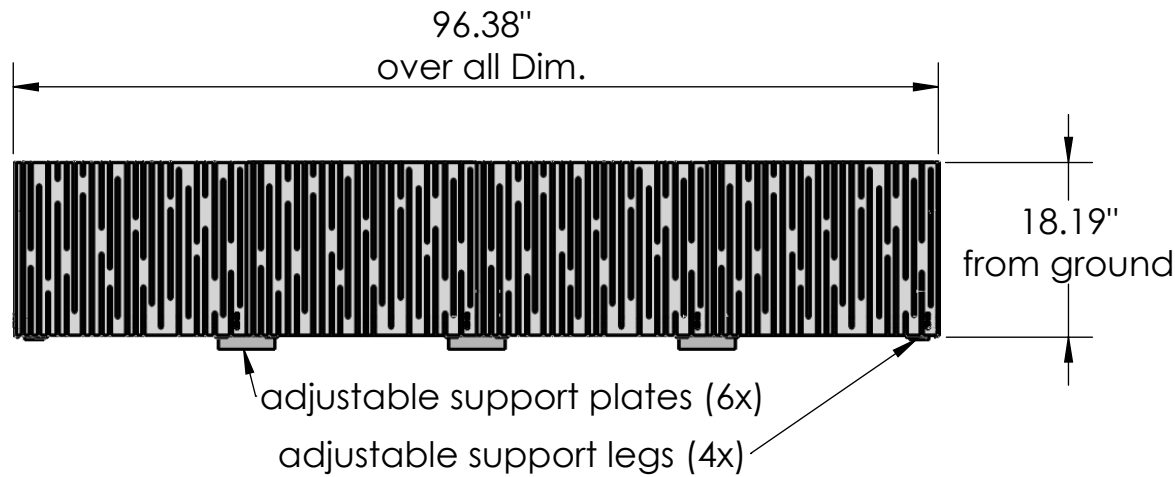
© Registration: XX-1-XXX-123

Product ID: PBRN18-24

Drawing Name: 000-Rain proto panel

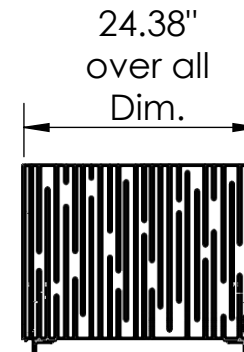
**SIDE VIEW**

scale 1:20



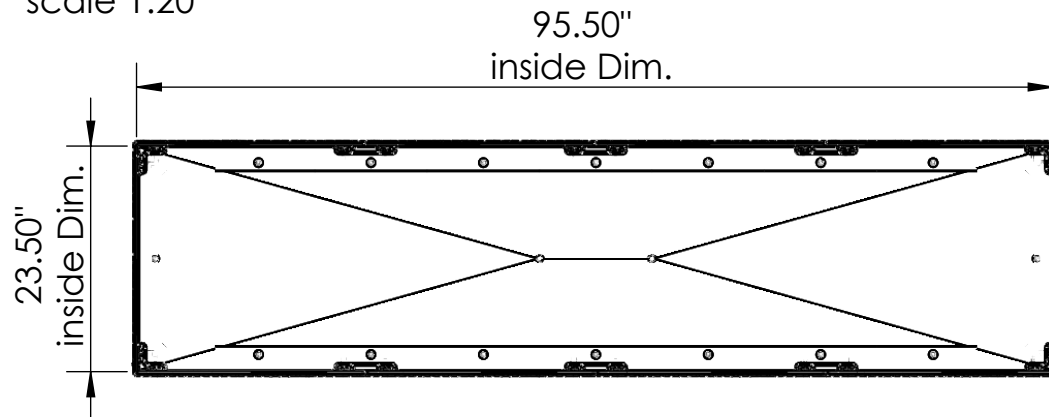
**END VIEW**

scale 1:20

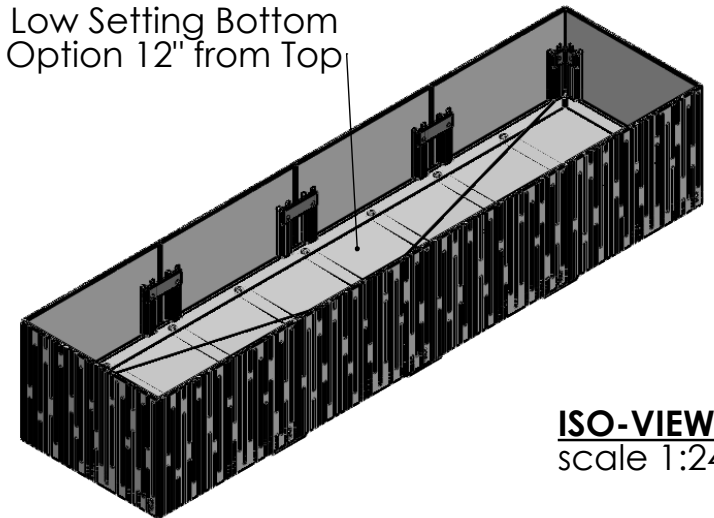


**TOP VIEW**

scale 1:20



Low Setting Bottom Option 12" from Top



**ISO-VIEW**

scale 1:24

**NOTES:**

- 1. PROTOTYPE ONLY
- 2. Ships as a set.
- 3. Due to casting inconsistencies, all dimensions are nominal.

Made in USA ©2019 Iron Age Designs

**Rain Proto Planter Box 2' x 8'**



Material: Cast Ductile Iron

Weight: approx. 642 lbs.

Standard Finish: Raw

Edge Thickness:

Product ID: PBRN18-24

By: MS Date: 4/25/19

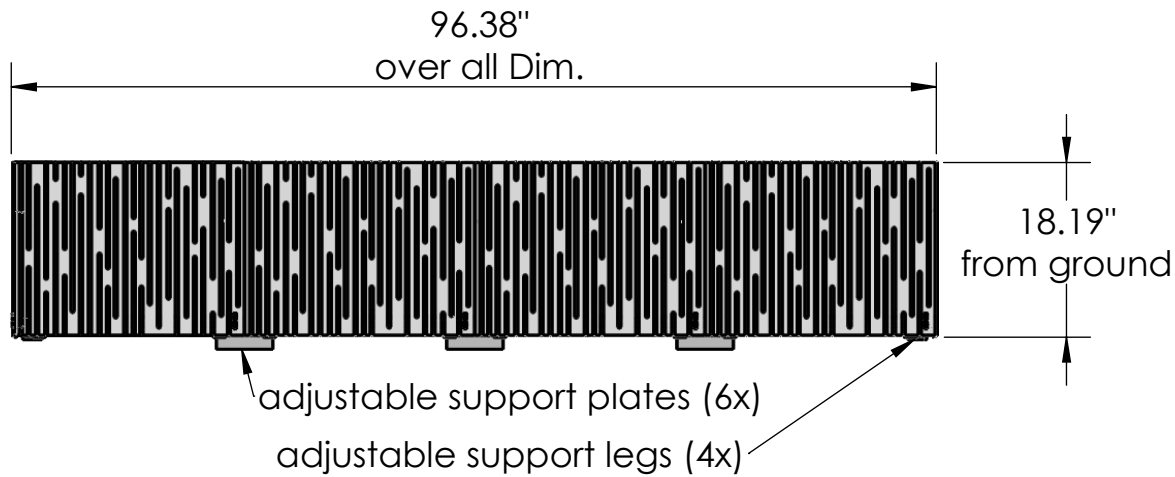
Job No: XXXXXXXX Scale: NTS

© Registration: XX-1-XXX-123

Drawing Name: 000-Rain Proto Planter Box 2' x 8'

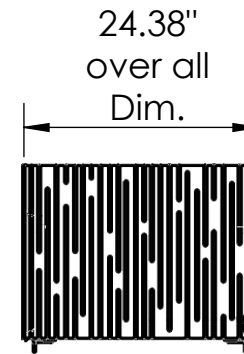
**SIDE VIEW**

scale 1:20



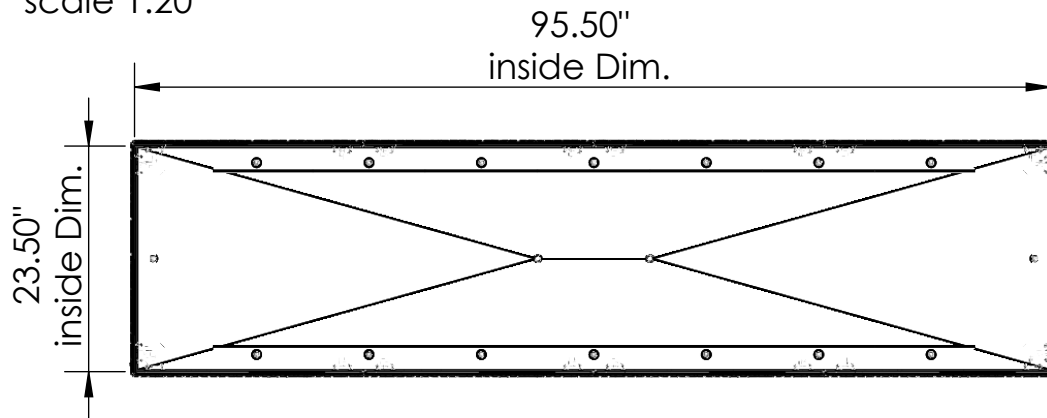
**END VIEW**

scale 1:20

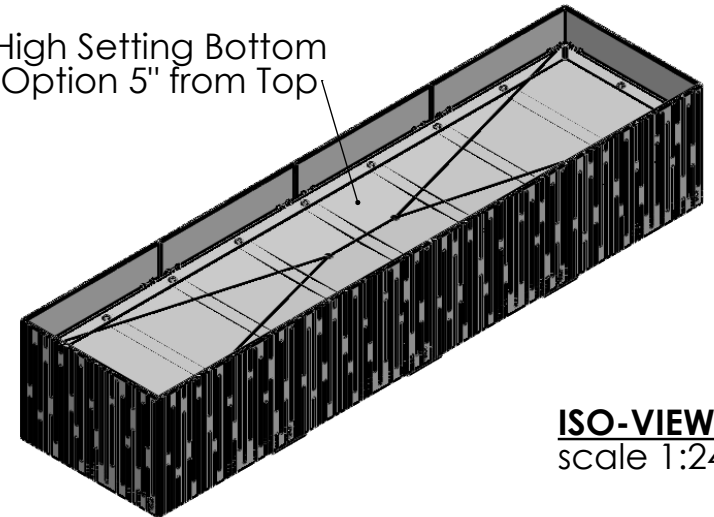


**TOP VIEW**

scale 1:20



High Setting Bottom Option 5" from Top



**ISO-VIEW**

scale 1:24

**NOTES:**

- 1. PROTOTYPE ONLY
- 2. Ships as a set.
- 3. Due to casting inconsistencies, all dimensions are nominal.

Made in USA ©2019 Iron Age Designs

**Rain Proto Planter Box 2' x 8'**



Material: Cast Ductile Iron

Standard Finish: Raw

Weight: approx. 642 lbs.

Edge Thickness:

Product ID: PBRN18-24

By: MS Date: 4/25/19

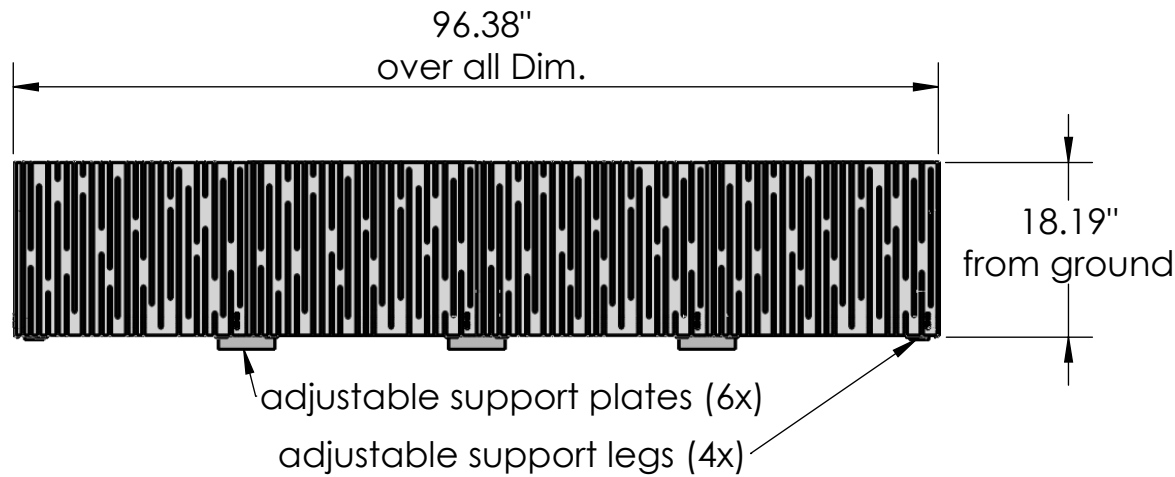
Job No: XXXXXXXX Scale: NTS

© Registration: XX-1-XXX-123

Drawing Name: 000-Rain Proto Planter Box 2' x 8'

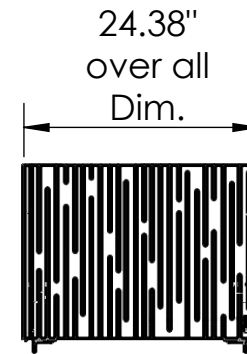
**SIDE VIEW**

scale 1:20



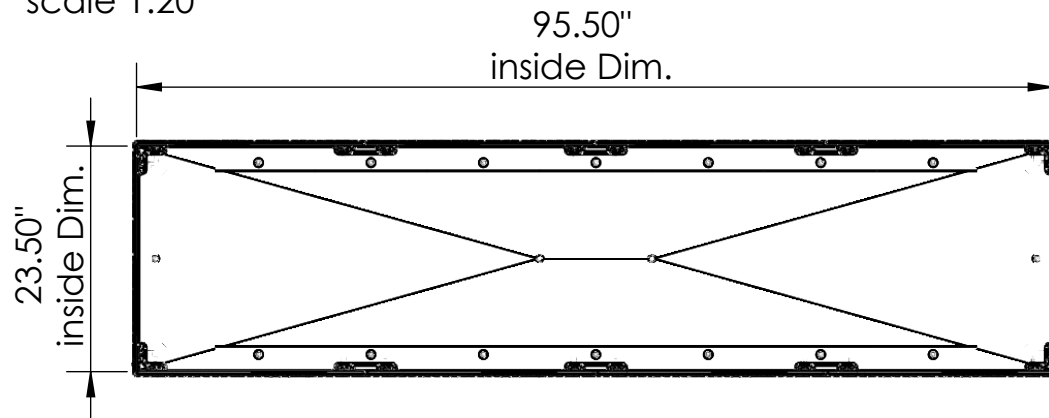
**END VIEW**

scale 1:20

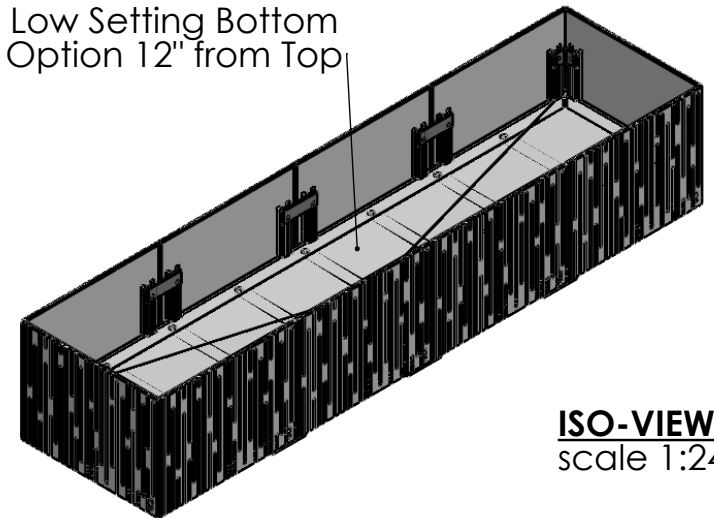


**TOP VIEW**

scale 1:20



Low Setting Bottom Option 12" from Top



**ISO-VIEW**

scale 1:24

**NOTES:**

1. PROTOTYPE ONLY
2. Ships as a set.
3. Due to casting inconsistencies, all dimensions are nominal.

Made in USA ©2019 Iron Age Designs

**Rain Proto Planter Box 2' x 8'**



Material: Cast Ductile Iron

Standard Raw Finish:

Weight: approx. 642 lbs.

Edge Thickness:

Product ID: PBRN18-24

By: MS Date: 4/25/19

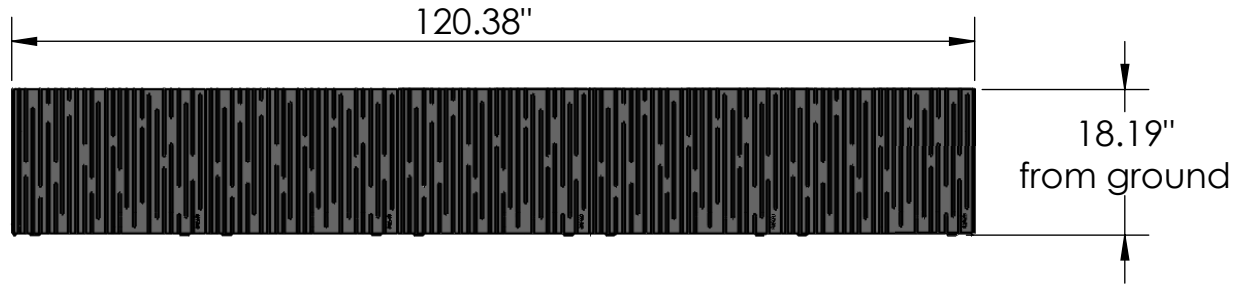
Job No: XXXXXXXX Scale: NTS

© Registration: XX-1-XXX-123

Drawing Name: 000-Rain Proto Planter Box 2' x 8'

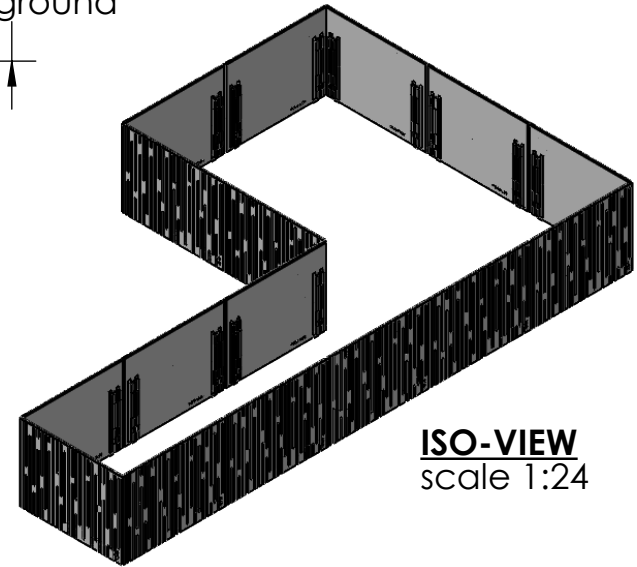
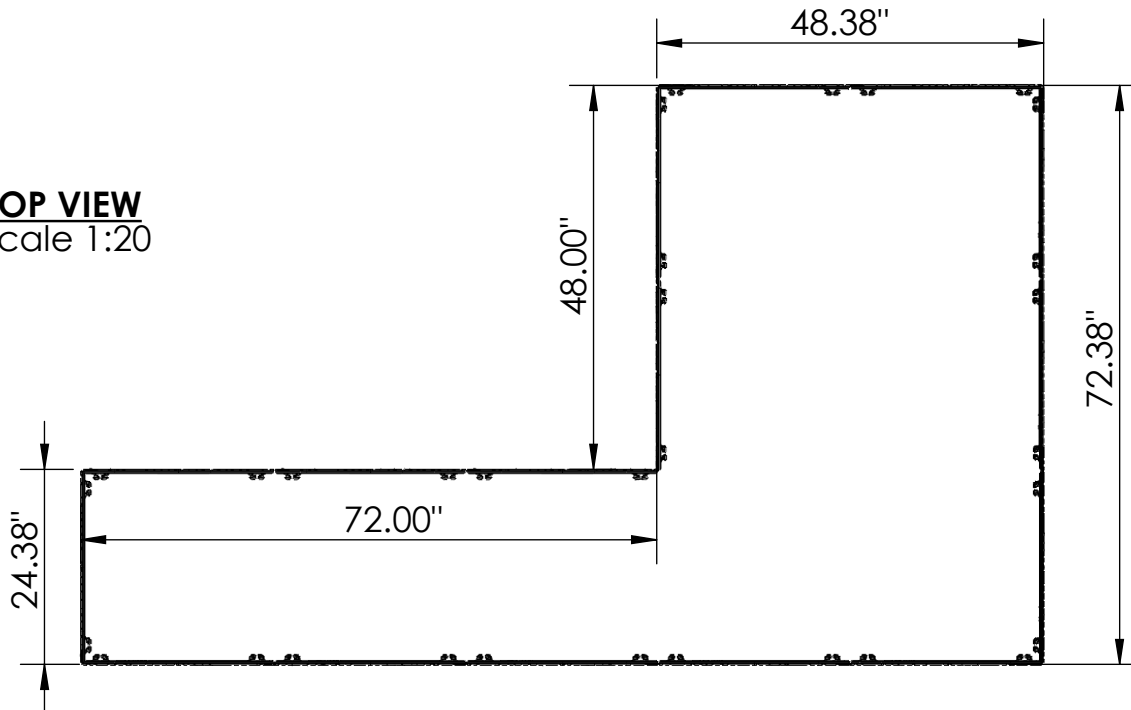
**SIDE VIEW**

scale 1:20



**TOP VIEW**

scale 1:20



**ISO-VIEW**  
scale 1:24

**NOTES:**

1. PROTOTYPE ONLY
2. Ships as a set.
3. Any shape, any size in 24" increments
4. Bottoms at 5", 12" from top, or no bottoms.
5. Installation on pad or open ground.
6. Evaporation Pan
7. Due to casting inconsistencies, all dimensions are nominal.

Made in USA ©2019 Iron Age Designs

**Rain Proto Planter Box 6' x 10' L-Shape**



Material: Cast Ductile Iron

Standard Raw  
Finish:

Weight: approx. lbs.

Edge  
Thickness:

Product ID: PBRN18-24

By: MS Date: 5/13/19

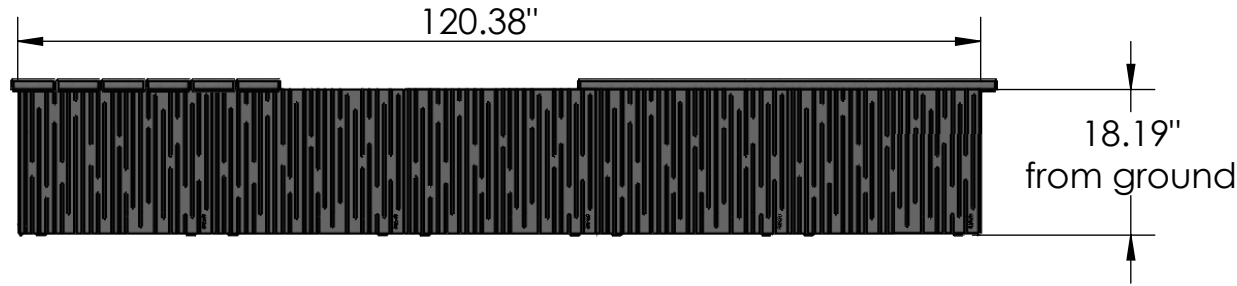
Job No: XXXXXXXX Scale: NTS

© Registration: XX-1-XXX-123

Drawing Name: 000-Rain Proto Planter Box 6' x 10'

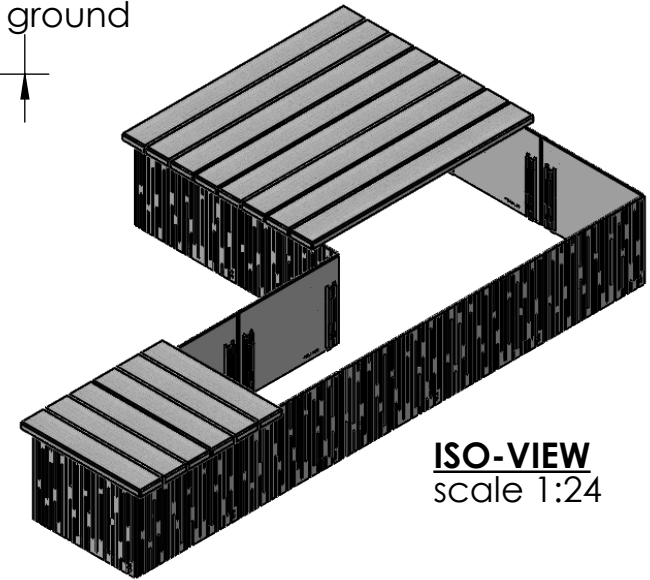
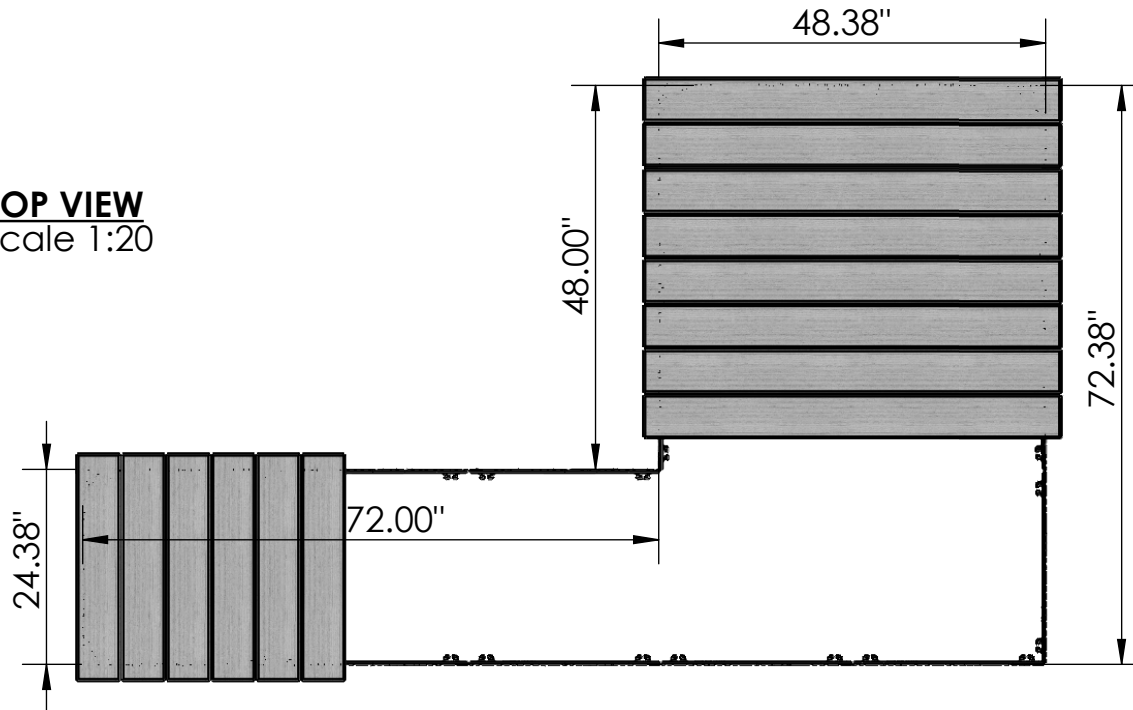
**SIDE VIEW**

scale 1:20



**TOP VIEW**

scale 1:20



**ISO-VIEW**  
scale 1:24

**NOTES:**

1. PROTOTYPE ONLY
2. Ships as a set.
3. Any shape, any size in 24" increments
4. Bottoms at 5", 12" from top, or no bottoms.
5. Wooden / Laminate Seating in any configuration.
6. Installation on pad or open ground.
7. Evaporation Pan
8. Due to casting inconsistencies, all dimensions are nominal.

**Rain Proto Planter Box 6' x 10' L-Shape with Wooden Seating**

Made in USA ©2019 Iron Age Designs



Material: Cast Ductile Iron

Weight: approx. lbs.

By: MS Date: 5/13/19

Standard Raw  
Finish:

Edge  
Thickness:

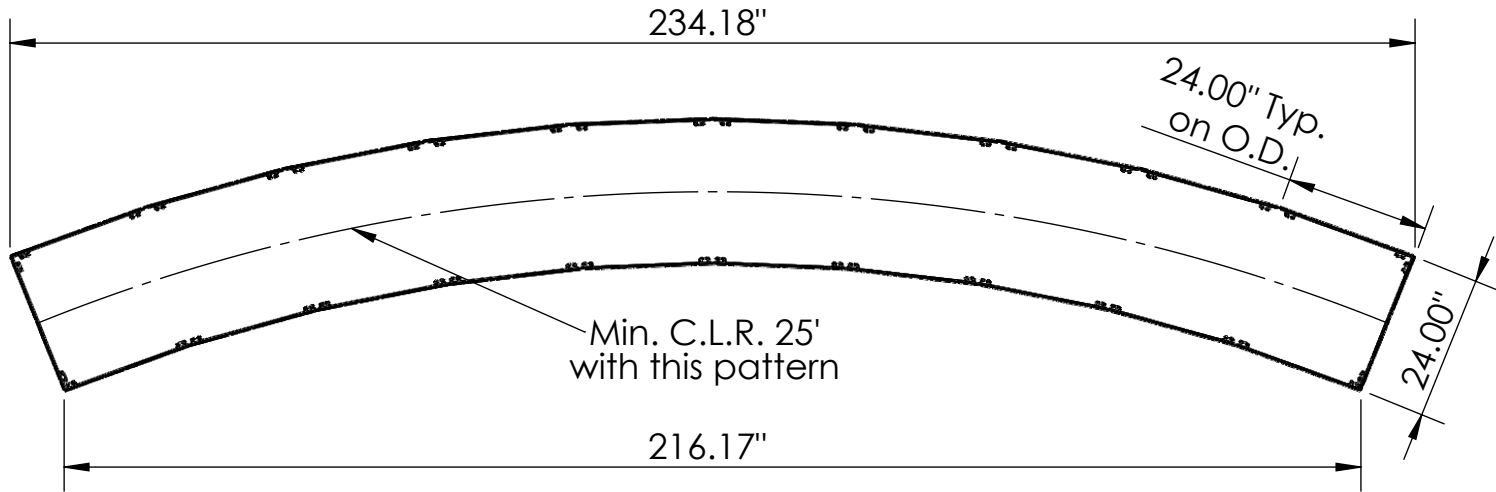
Job No: XXXXXXXX Scale: NTS

© Registration: XX-1-XXX-123

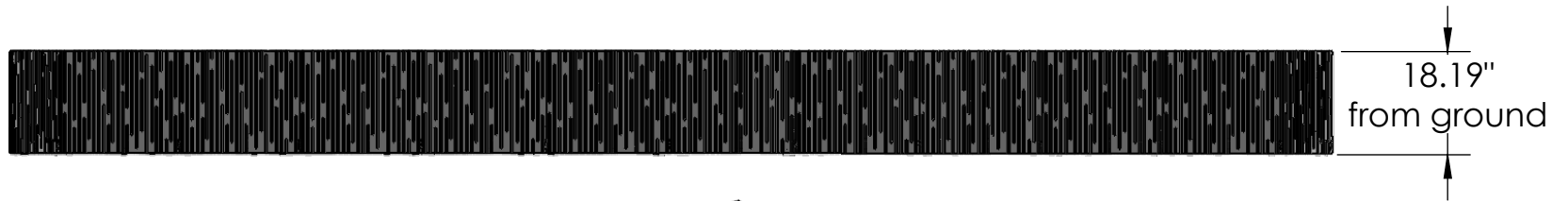
Product ID: PBRN18-24

Drawing Name: 000-Rain Proto Planter Box 6' x 10'

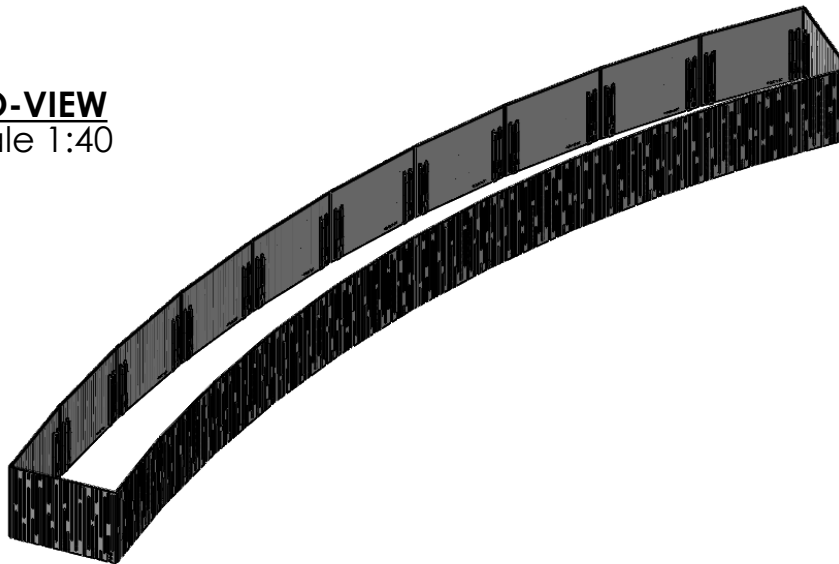
**TOP VIEW**  
scale 1:32



**SIDE VIEW**  
scale 1:32



**ISO-VIEW**  
scale 1:40



**NOTES:**

1. PROTOTYPE ONLY
2. Ships as a set.
3. Any shape, any size in 24" increments.
4. Min. C.L.R. with this pattern R 25'.
5. Max. C.L.R. endless.
6. Full Circles / Arc Length every 24" O.D.
7. Bottoms at 5", 12" from top, or no bottoms.
8. Installation on pad or open ground.
9. Evaporation Pan
10. Due to casting inconsistencies, all dimensions are nominal.

Made in USA ©2019 Iron Age Designs

**Rain Proto Planter Box 25' C.L.R. min.**



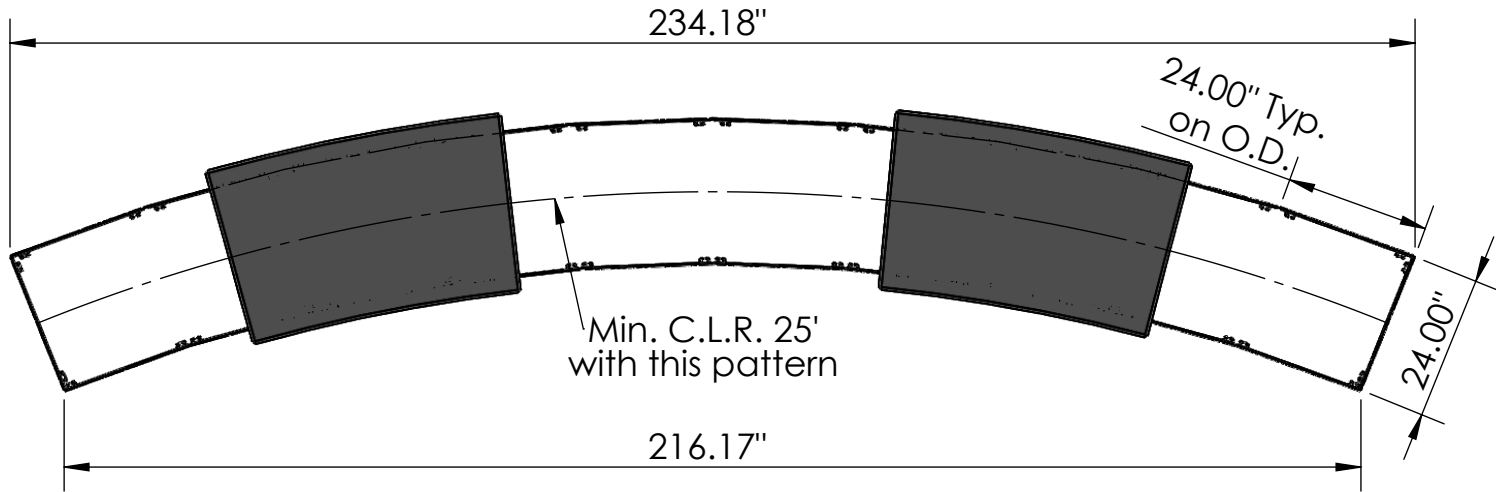
Material: Cast Ductile Iron  
Standard Finish: Raw

Weight: approx. lbs.  
Edge Thickness:  
Product ID: PBRN18-24

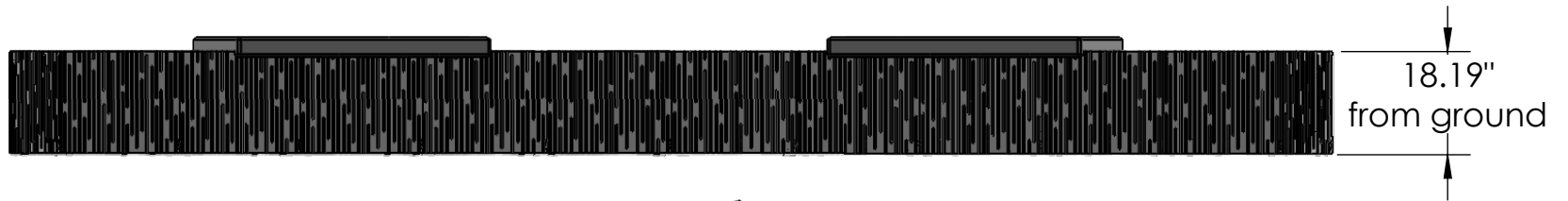
By: MS Date: 5/14/19  
Job No: XXXXXXXX Scale: NTS  
© Registration: XX-1-XXX-123

Drawing Name: 000-Rain Proto Planter Box 25' CLR

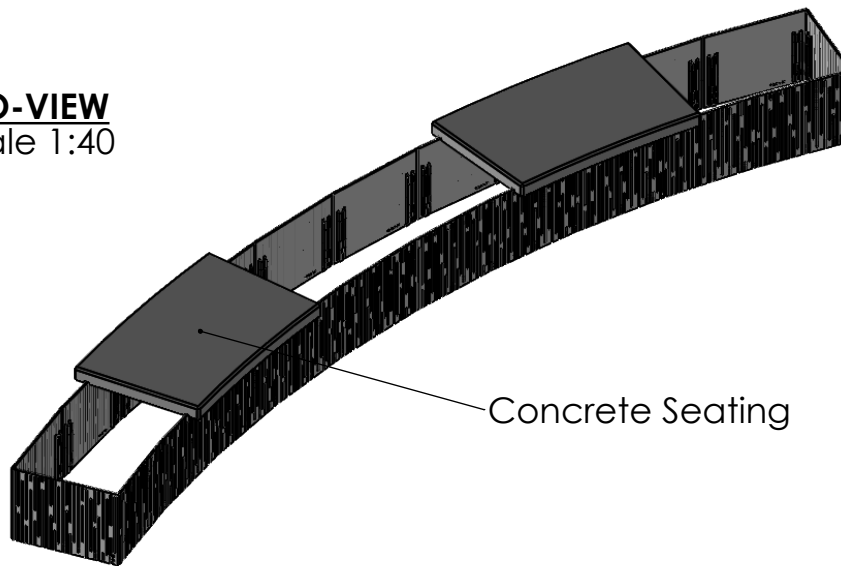
**TOP VIEW**  
scale 1:32



**SIDE VIEW**  
scale 1:32



**ISO-VIEW**  
scale 1:40



**NOTES:**

1. PROTOTYPE ONLY
2. Ships as a set.
3. Any shape, any size in 24" increments.
4. Min. C.L.R. with this pattern R 25'.
5. Max. C.L.R. endless.
6. Full Circles / Arc Length every 24" O.D.
7. Bottoms at 5", 12" from top, or no bottoms.
8. Concrete seating / wooden seating
9. Installation on pad or open ground.
10. Evaporation Pan
11. Due to casting inconsistencies, all dimensions are nominal.

Made in USA ©2019 Iron Age Designs

**Rain Proto Planter Box 25' C.L.R. min. with concrete seating**