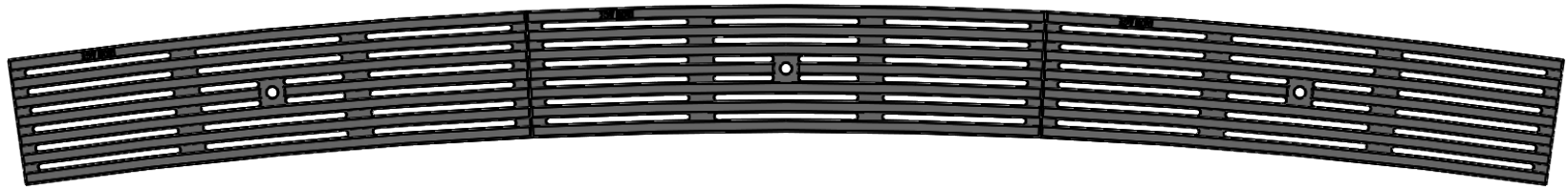
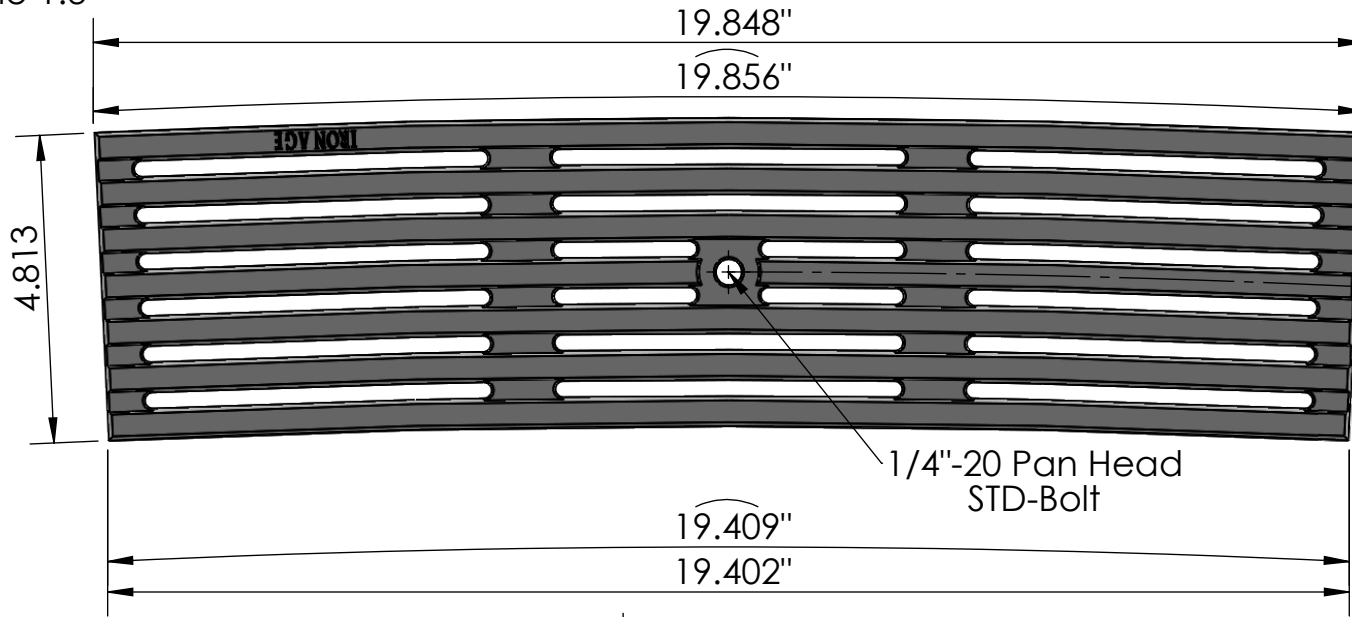


3 ARRAY
scale 1:7



TOP VIEW
scale 1:3



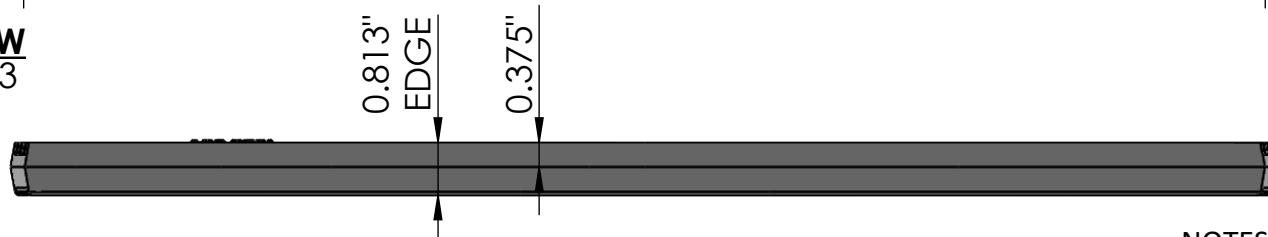
CASTING-ID
scale 1:4



17'7\"/>

1/4\"/>

SIDE VIEW
scale 1:3



ISO-VIEW
scale 1:7



NOTES:

1. Heelproof: No thru openings greater than 1/4"
2. Ships in 1 piece.
3. Due to casting inconsistencies, all dimensions are nominal.

Made in USA ©2019 Iron Age Designs

QUE 5" Heel Proof Trench Grate
17'-7" C.L.R.



Material: Cast Ductile Iron

Weight: 10.59 lbs.

Free Area 23.89"sq
(approx): (25.29%)
Gallon/ Min 31.30 GPM
(approx):

By: MS Date: 4/5/19

Standard Raw
Finish:

Edge
Thickness: .8125"

Job No: XXXXXXXX Scale: 1:3

Fits: Iron Age Frame SOLD SEPARATELY

Product ID: QUR5-20I9918HP

© Registration: XX-1-XXX-123

Drawing Name: 01-3B-QUE.I.5x20Rad17'7"