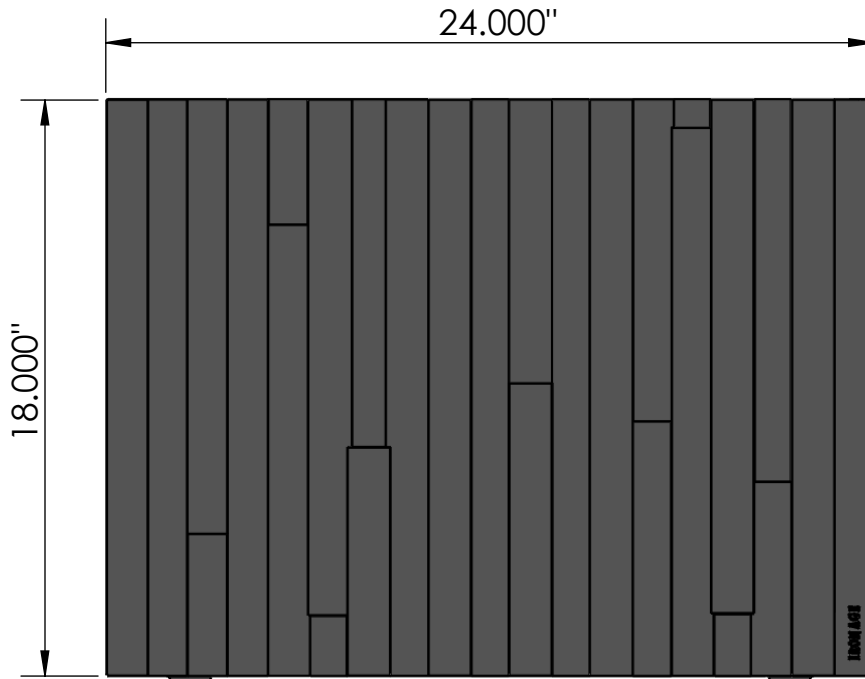


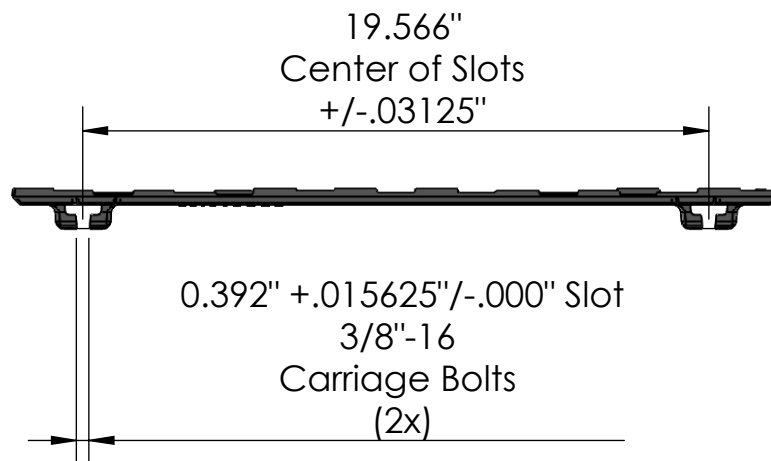
**PLAN VIEW**

scale 1:6



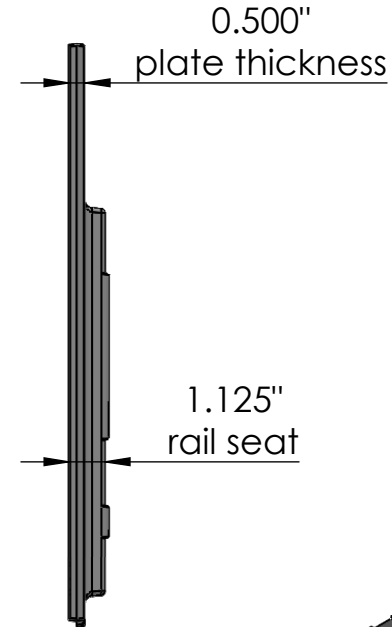
**TOP VIEW**

scale 1:6



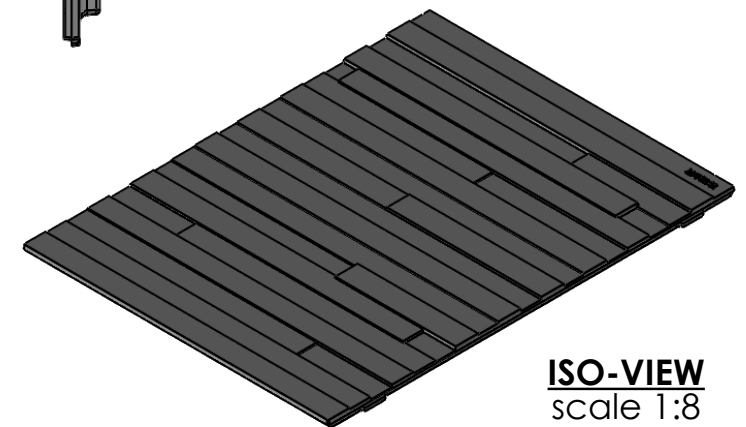
**END VIEW**

scale 1:6



**CASTING-ID**

scale 1:3



**ISO-VIEW**

scale 1:8

**NOTES:**

- 1. Ships in 1 piece.
- 2. Due to casting inconsistencies, all dimensions are nominal.

Made in USA ©2019 Iron Age Designs

**Tempe Planter Box Panel 18" x 24"**



Material: Cast Ductile Iron

Standard Raw  
Finish:

Weight: 51.26 lbs.

Edge  
Thickness: .500"

Product ID: PBRN18-24

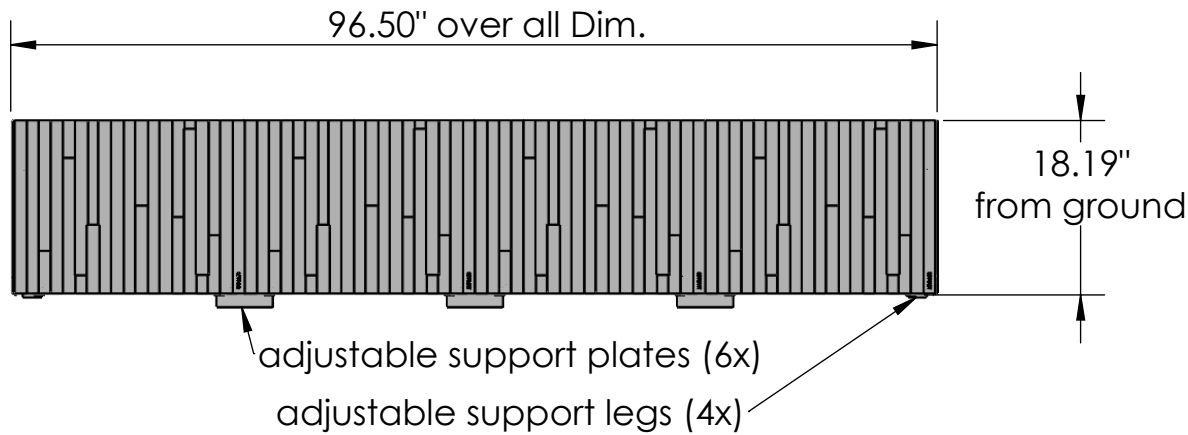
By: MS Date: 5/10/19

Job No: XXXXXXXX Scale: NTS

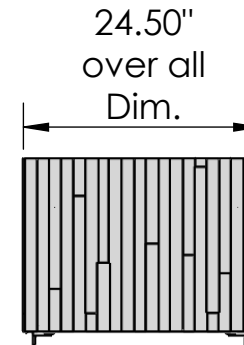
© Registration: XX-1-XXX-123

Drawing Name: 000-Tempe proto panel

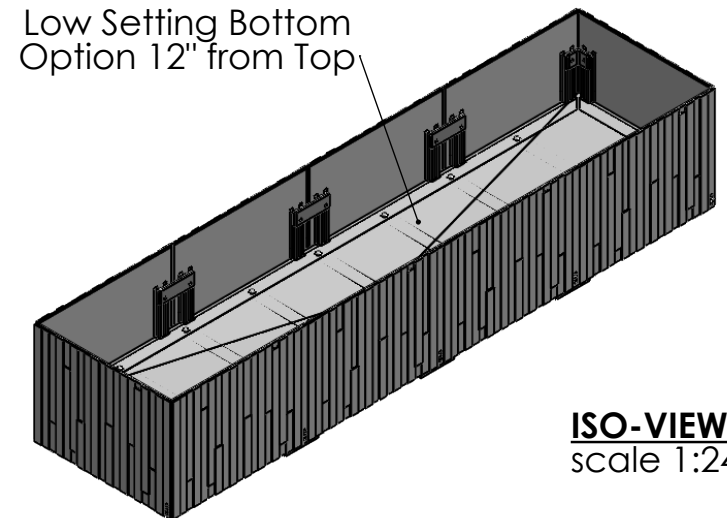
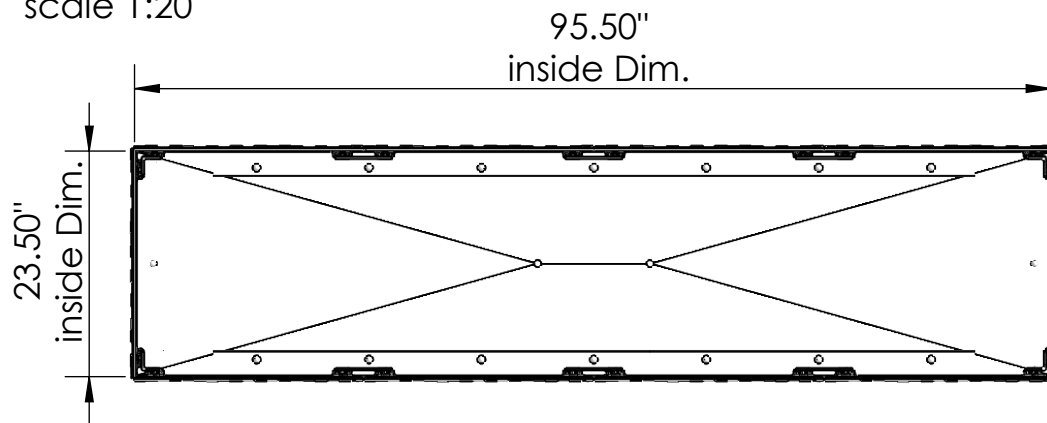
**SIDE VIEW**  
scale 1:20



**END VIEW**  
scale 1:20



**TOP VIEW**  
scale 1:20



**ISO-VIEW**  
scale 1:24

**NOTES:**

1. PROTOTYPE ONLY
2. Ships as a set.
3. Due to casting inconsistencies, all dimensions are nominal.

Made in USA ©2019 Iron Age Designs

**Tempe Proto Planter Box 2' x 8'**



Material: Cast Ductile Iron  
Standard Finish: Raw

Weight: approx. 653 lbs.  
Edge Thickness:  
Product ID: PBRN18-24

By: MS Date: 5/10/19  
Job No: XXXXXXXX Scale: NTS  
© Registration: XX-1-XXX-123

Drawing Name: 000-Tempe Proto Planter Box 2' x 8'